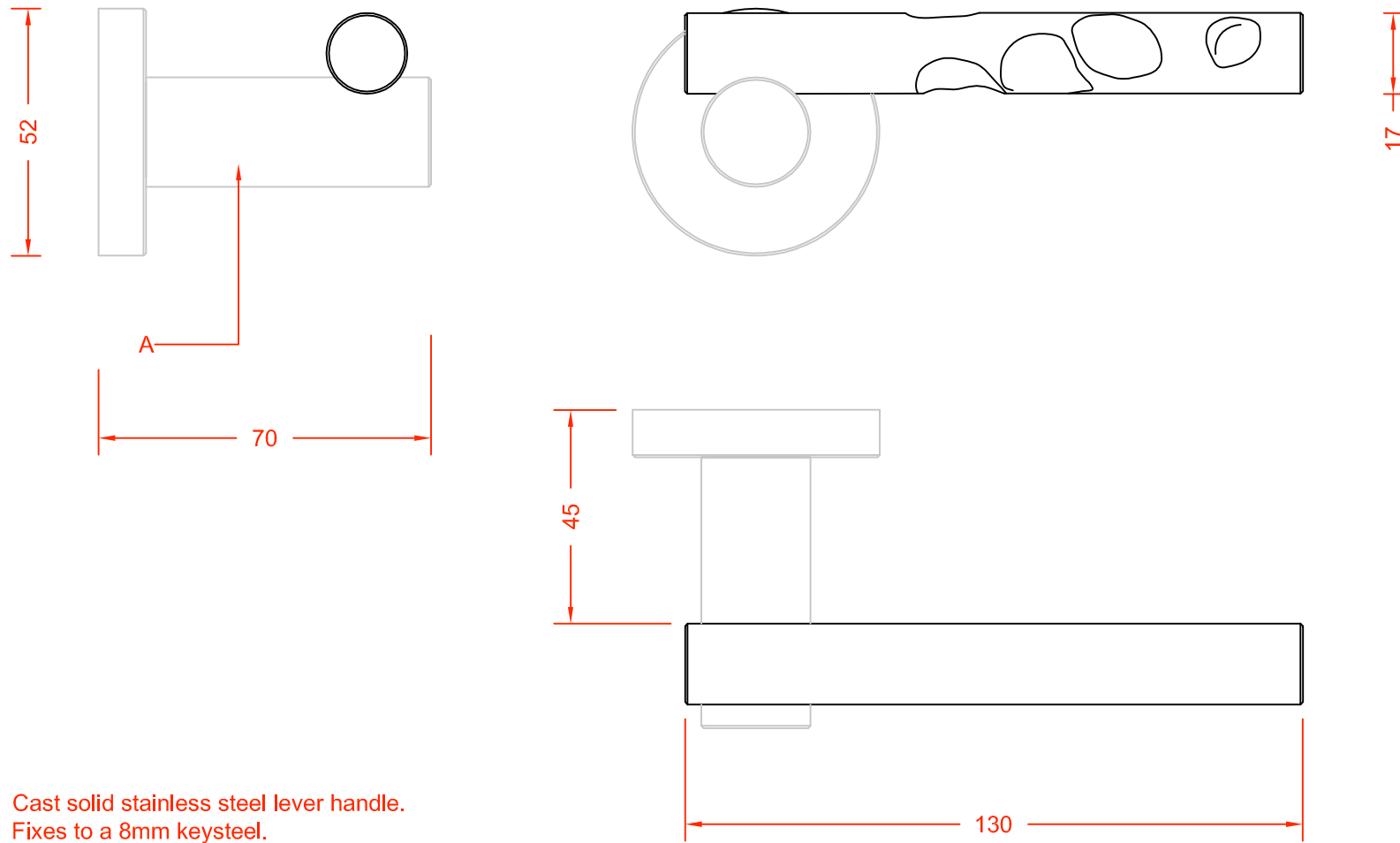


# Finger prints



Cast solid stainless steel lever handle.  
 Fixes to a 8mm keysteel.  
 Supplied as pairs.  
 Please note finger print detail differs in orientation on left and right handle.

GENERAL NOTES:  
 THE CONTRACTOR SHALL CHECK AND VERIFY ALL DIMENSIONS ON SITE AND REPORT ANY DISCREPANCIES IMMEDIATELY TO PHILIP WATTS DESIGN BEFORE COMMENCING WITH THE WORK.  
 ALL DRAWINGS ARE THE PROPERTY OF PHILIP WATTS DESIGN AND SHALL NOT BE REPRODUCED WITHOUT THE CONSENT OF THE DESIGNER.  
 DRAWINGS SHALL NOT BE SIGNED.  
 THIS DRAWING IS TO BE USED IN CONFORMANCE WITH THE RELEVANT SPECIFICATION OF BUILDING WORKS.  
 ALL DIMENSIONS ARE IN mm UNLESS OTHERWISE NOTED.  
 THIS DRAWING MAY INCORPORATE INFORMATION FROM OTHER PROFESSIONALS. PHILIP WATTS DESIGN COMPANY ACCEPTS RESPONSIBILITY FOR THE INTEGRITY AND ACCURACY OF SUCH INFORMATION.

IF IN DOUBT ASK !

original drawn by (name)	date	app by

drawing status:  
**APPROVED BY:**

Name:	Date:

**philip watts design**  
 Unit 11, Byron Industrial Estate,  
 Brookfield Road, Arnold  
 Nottingham, NG5 7ER  
 t: 0115 926 9756  
 f: 0115 920 3395  
 sales@philipwattsdesign.com  
 www.philipwattsdesign.com

drawing title:  
**Finger prints**

contract name: **PWD in house**      job number: **-**

drawing no & revision:  
**PWD-LH-MG-004**

scale: **DNS**  
 drawn by: **MG**      date: **05/12/07**      checked: **PW**