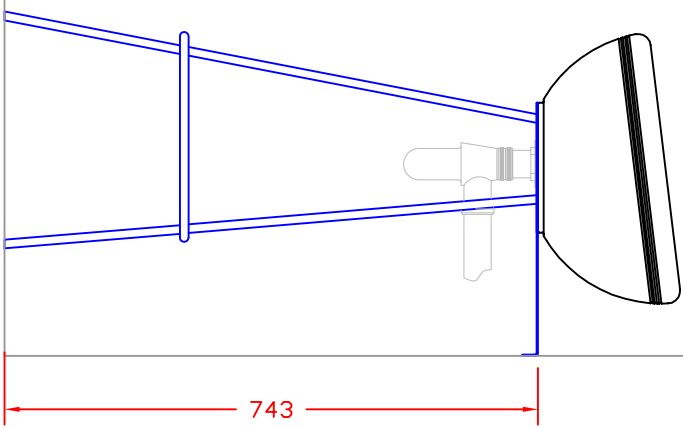
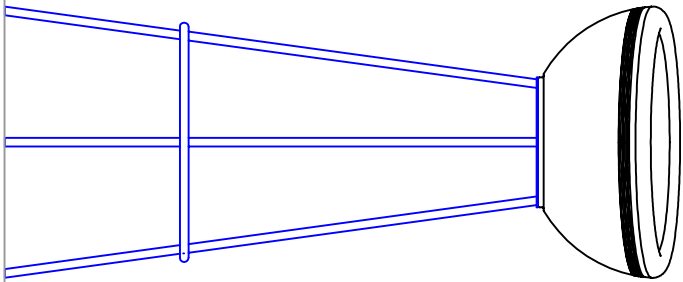
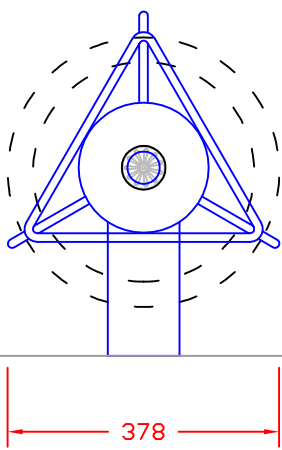


# Glink stand



**GENERAL NOTES:**  
 THE CONTRACTOR SHALL CHECK AND CORRECT ALL ERRORS IN THE DRAWING AND CONSULT WITH THE DESIGNER FOR ANY CHANGES TO THE DRAWING. ALL DIMENSIONS ARE THE PROPERTY OF PHILIP WATTS DESIGN AND SHALL BE REPRODUCED EXACTLY AS SHOWN IN THE DRAWING. DIMENSIONS SHALL BE IN MILLIMETERS UNLESS OTHERWISE SPECIFIED. ALL DIMENSIONS ARE FROM THE CENTER OF THE BOWLING PIN. THE DESIGNER SHALL BE RESPONSIBLE FOR THE PROVISION OF ALL DIMENSIONS. THE DESIGNER SHALL BE RESPONSIBLE FOR THE PROVISION OF ALL DIMENSIONS. IF IN DOUBT ASK!

revision	description	date	by

drawing status  
 APPROVED BY:

Name: \_\_\_\_\_ Date: \_\_\_\_\_

\_\_\_\_\_

\_\_\_\_\_

\_\_\_\_\_

**philip watts design**  
 Unit 11, Sycamore Industrial Estate,  
 Nottingham, Notts, NG5 7ER  
 t: 0115 926 8726  
 f: 0115 926 8345  
 sales@philipwattsdesign.com  
 www.philipwattsdesign.com

drawing title: \_\_\_\_\_  
 contract name: \_\_\_\_\_ job number: \_\_\_\_\_  
 drawing no & revision: \_\_\_\_\_  
 scale: \_\_\_\_\_  
 drawn by: \_\_\_\_\_ date: \_\_\_\_\_  
 checked: \_\_\_\_\_