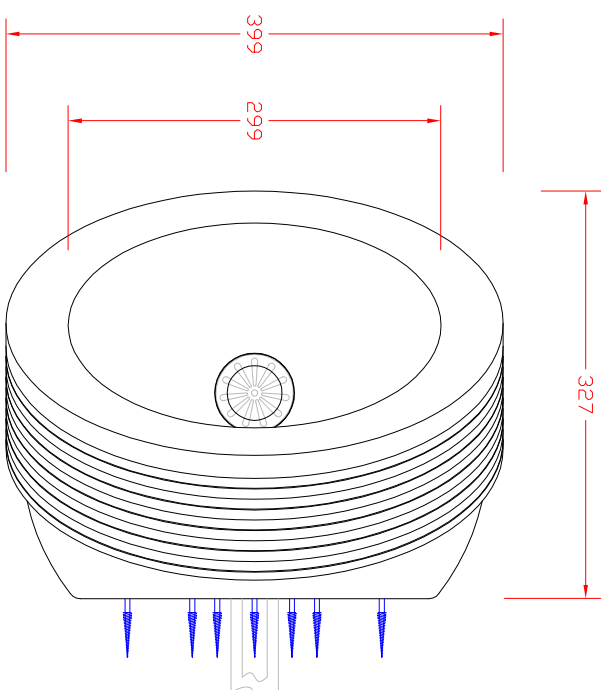
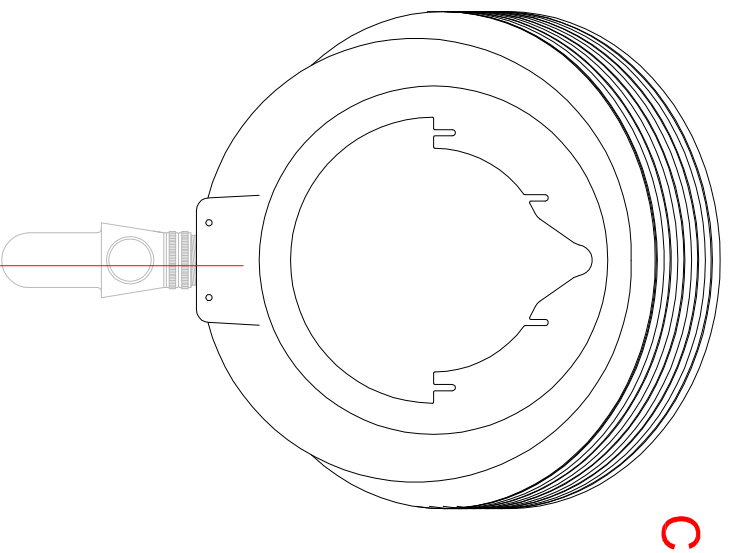


Urinal - GA
not to scale

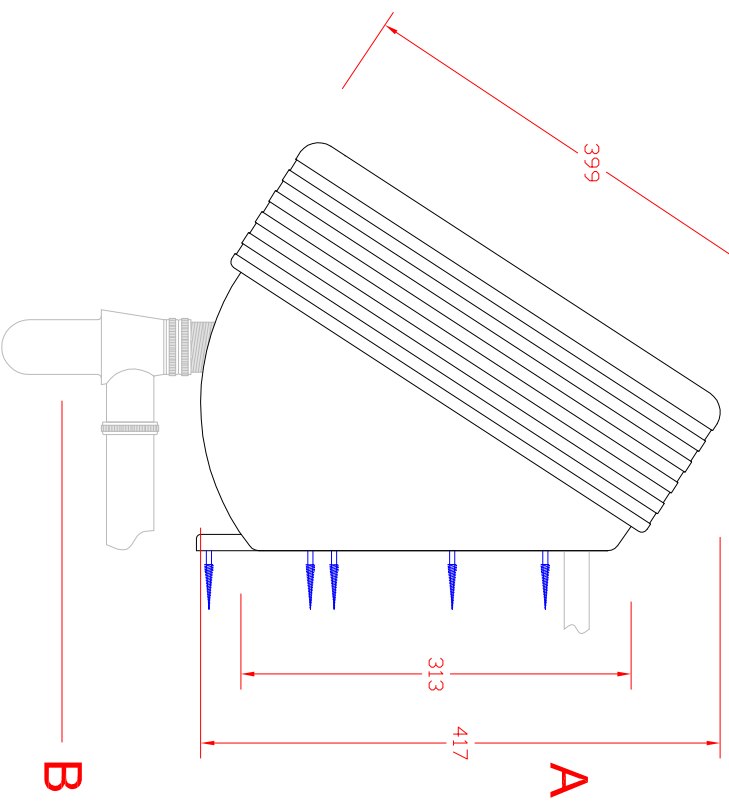
Plan



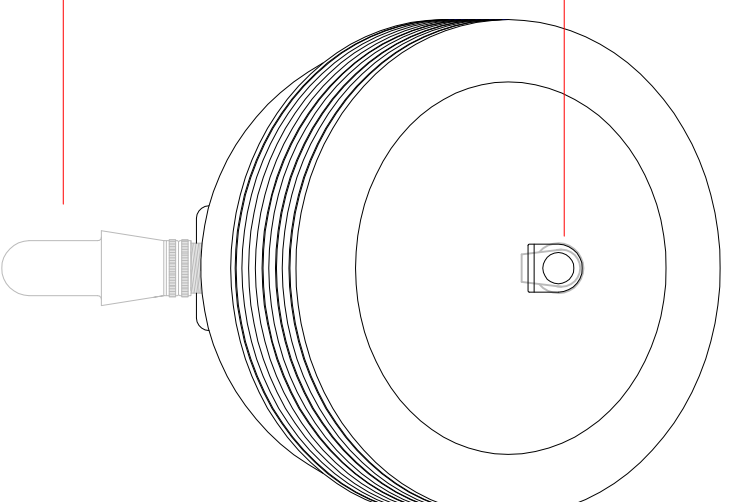
Rear Elevation



Side Elevation



Front Elevation



Legend

- A** - standard back inlet spreader
- B** - standard bottle trap
- C** - rear view, showing fixing points and access.

See PWD/Ur/
for further details

phillip watts design

GENERAL NOTES:

THE CONTRACTOR SHALL CHECK AND VERIFY ALL DIMENSIONS ON SITE AND COMMENCE WITH THE WORK.
ALL DIMENSIONS ARE THE PROPERTY OF PHILIP WATTS DESIGN AND SHALL NOT BE REPRODUCED WITHOUT THE CONSENT OF THE DESIGNER.
DRAWINGS SHALL NOT BE COLOURED.
THIS DRAWING IS TO BE READ IN CONJUNCTION WITH THE RELEVANT SPECIFICATION OF RELATED WORKS.
ALL DIMENSIONS ARE IN MM UNLESS OTHERWISE NOTED.
THIS DRAWING MAY INCORPORATE INFORMATION FROM OTHER PROFESSIONAL PHILIP WATTS DESIGN'S WORKS. PHILIP WATTS DESIGN CAN NOT ACCEPT RESPONSIBILITY FOR THE INTEGRITY AND ACCURACY OF SUCH INFORMATION.
IF IN DOUBT ASK !

Original drawn by (name)	Date	App by

drawing status:
APPROVED BY:

Name:	Date:

phillip watts design
Unit 11: Byron Industrial Estate,
Brookfield Road, Arnold
Nottingham, NG5 7ER
t: 0115 926 9756
f: 0115 920 5395
sales@phillipwattsdesign.com
www.phillipwattsdesign.com



drawing title:
Urinal – GA
contract name:
PWD In house
job number:
PWD/SW/Ur
drawing no & revision:
PWD/Ur/02

scale not to scale
drawn by MG
date 21/02/07
checked PW