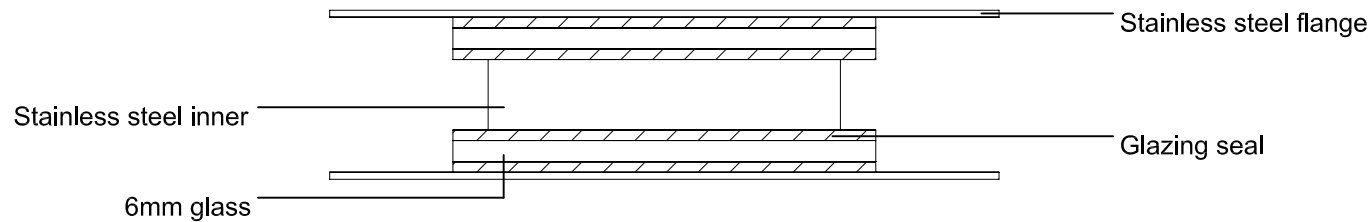
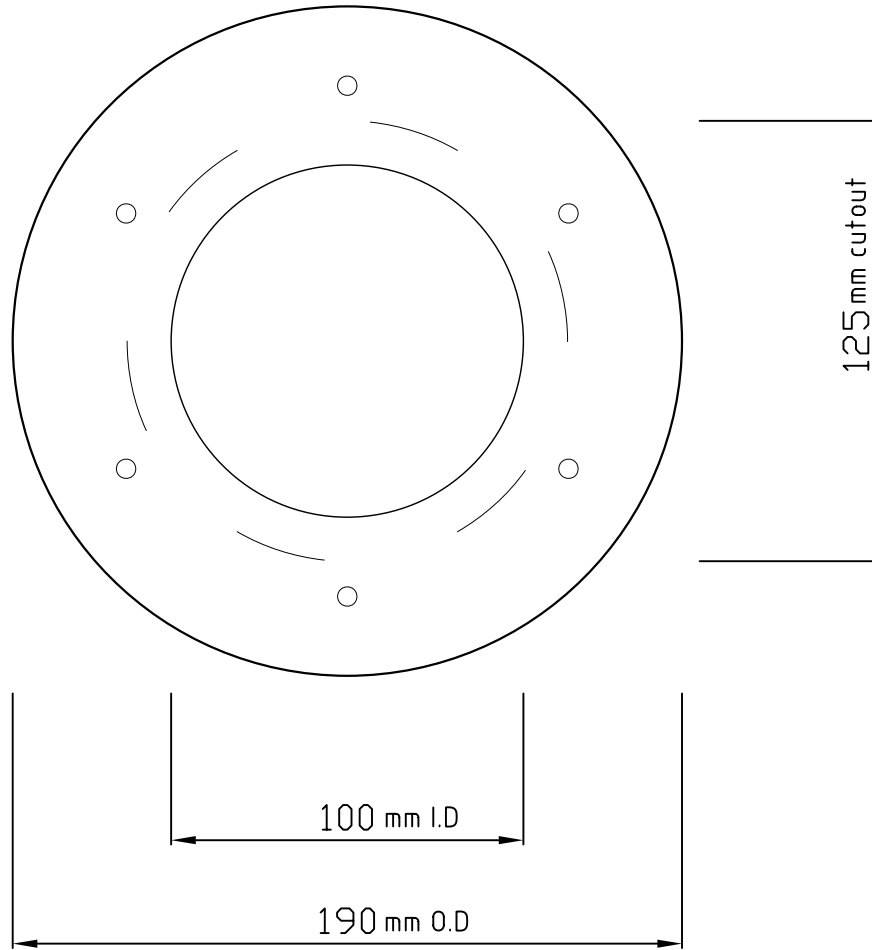


# SS3 porthole kit



## philip watts design

### GENERAL NOTES:

THE CONTRACTOR SHALL CHECK AND VERIFY ALL DIMENSIONS ON SITE AND REPORT ANY DISCREPANCIES BY WRITING TO PHILIP WATTS DESIGN BEFORE COMMENCING WITH THE WORK.  
 ALL DRAWINGS ARE THE PROPERTY OF PHILIP WATTS DESIGN AND SHALL NOT BE REPRODUCED WITHOUT THE CONSENT OF THE DESIGNER.  
 DRAWINGS SHALL NOT BE SCALED.  
 THIS DRAWING IS TO BE READ IN CONJUNCTION WITH THE RELEVANT SPECIFICATION OF BUILDING WORKS.  
 ALL DIMENSIONS ARE IN mm UNLESS OTHERWISE NOTED.  
 THE DRAWING MAY INCORPORATE INFORMATION FROM OTHER PROFESSIONALS. PHILIP WATTS DESIGN CANNOT ACCEPT RESPONSIBILITY FOR THE INTEGRITY AND ACCURACY OF SUCH INFORMATION.

### IF IN DOUBT ASK!

original drawn by (name)	date	app by

### drawing status:

APPROVED BY:

Name:	Date:



**philip watts design**

Unit 11, Byron Industrial Estate,  
 Brookfield Road, Arnold  
 Nottingham, NG5 7ER

t: 0115 926 9756  
 f: 0115 920 5395

sales@philipwattsdesign.com  
 www.philipwattsdesign.com

### drawing title:

—

### contract name

—

### job number

—

### drawing no & revision

—

### scale

—

### drawn by

—

### date

—

### checked

—