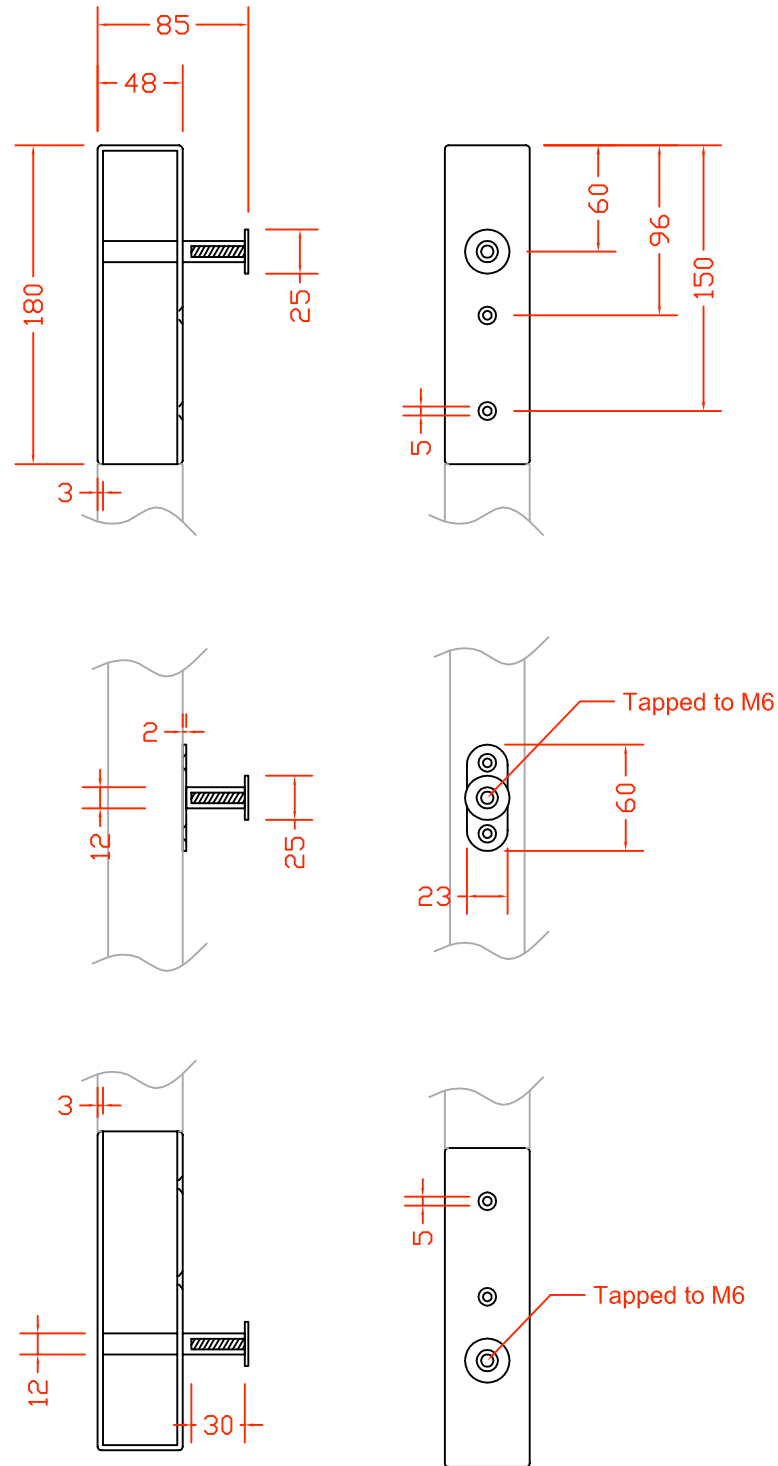


1 set of end caps and centre bracket, to suit a single Baton handle.



# philip watts design

**GENERAL NOTES:**  
 THE CONTRACTOR SHALL CHECK AND VERIFY ALL DIMENSIONS SHEETS AND REPORT ANY DISCREPANCIES IMMEDIATELY TO PHILIP WATTS DESIGN BEFORE COMMENCING WITH THE WORK.  
 ALL DRAWINGS ARE THE PROPERTY OF PHILIP WATTS DESIGN AND SHALL NOT BE REPRODUCED WITHOUT THE CONSENT OF THE DESIGNERS.  
 DRAWINGS SHALL NOT BE SCALED.  
 THE DRAWING IS TO BE READ IN CONJUNCTION WITH THE RELEVANT SPECIFICATION OF BUILDING WORKS.  
 ALL DIMENSIONS ARE IN mm UNLESS OTHERWISE NOTED.  
 THE DRAWING MAY INCORPORATE INFORMATION FROM OTHER PROFESSIONALS. PHILIP WATTS DESIGN CANNOT ACCEPT RESPONSIBILITY FOR THE INTEGRITY AND ACCURACY OF SUCH INFORMATION.

IF IN DOUBT ASK !

Original drawn by (name)	Date	App by

drawing status:  
**APPROVED BY:**

Name:	Date:



**philip watts design**  
 Unit 11: Byron Industrial Estate,  
 Brookfield Road, Arnold  
 Nottingham, NG5 7ER  
 t: 0115 926 9756  
 f: 0115 920 5395  
 sales@philipwattsdesign.com  
 www.philipwattsdesign.com

drawing title:  
**Baton steel components**

contract name \_\_\_\_\_ job number \_\_\_\_\_

drawing no & revision \_\_\_\_\_

scale \_\_\_\_\_  
 drawn by \_\_\_\_\_ date \_\_\_\_\_ checked \_\_\_\_\_