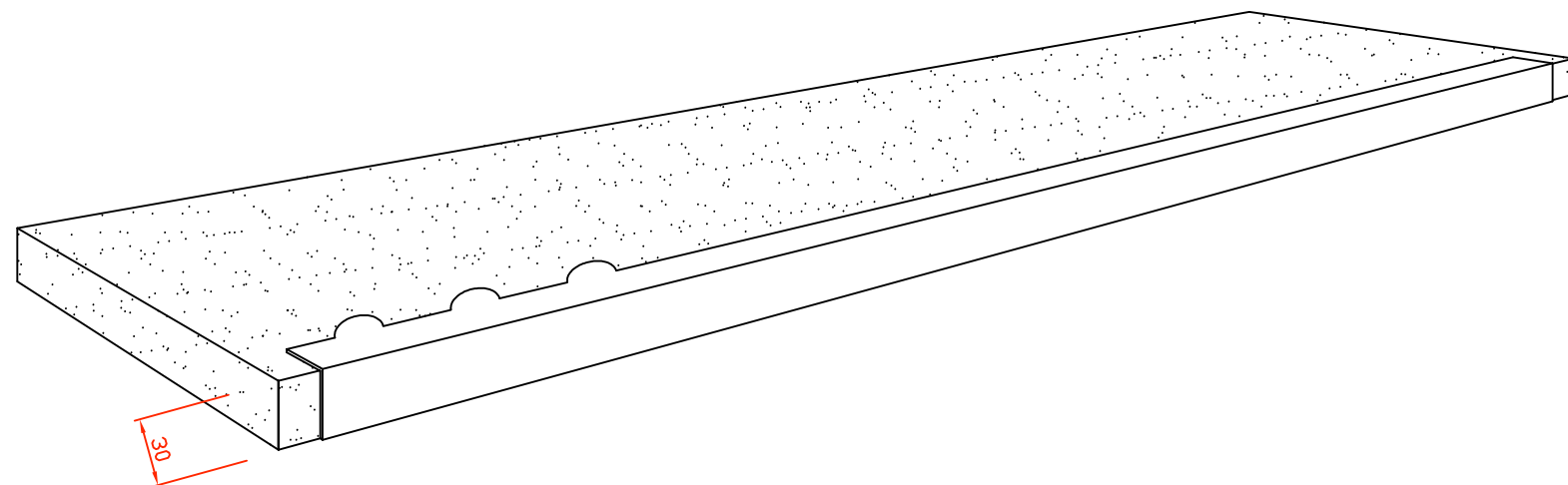
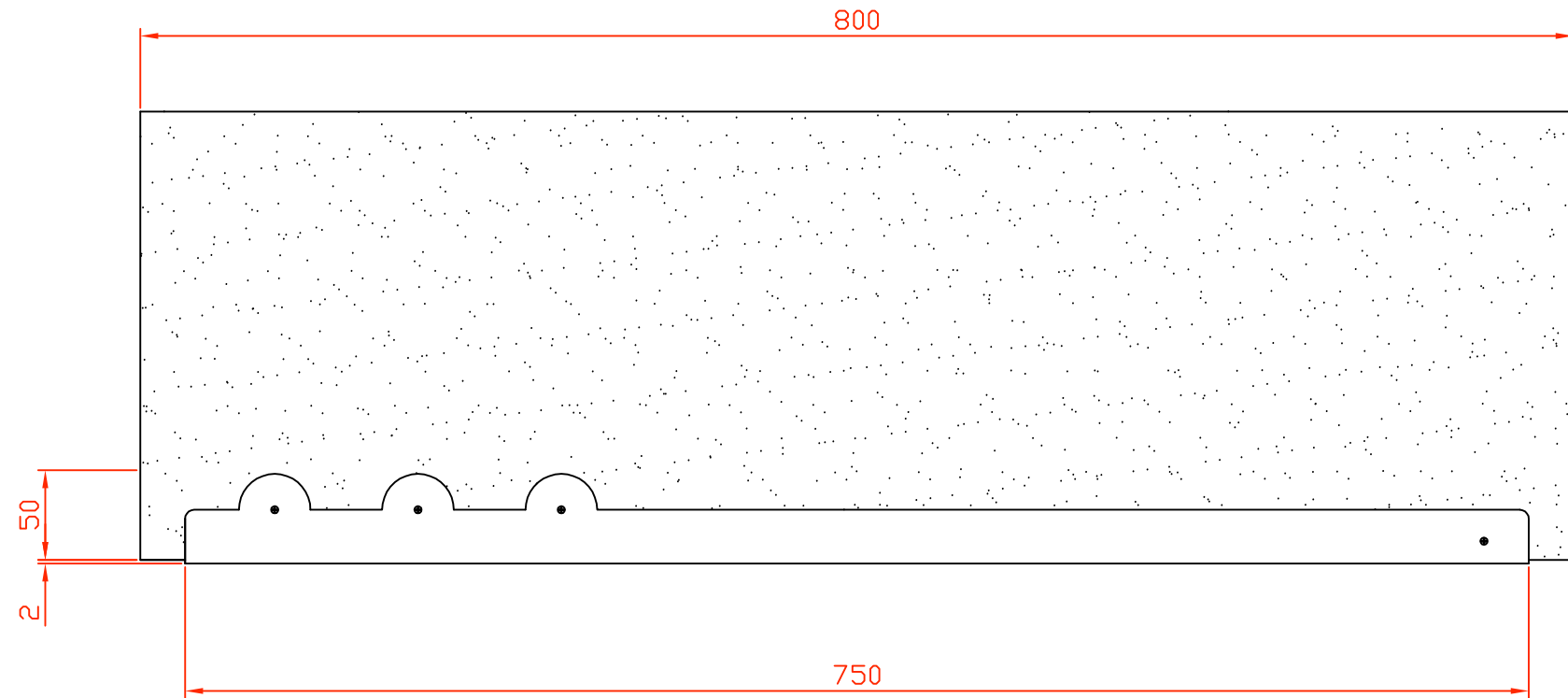


Flute tread nosing

"Flute" stair nosing



Standard "Flute" stair nosing kit comprising of:

- Stainless steel tread nosings.
- Fitting guidelines.
- Fixings

The Flute tread nosing is to be fixed to the tread with a suitable contact adhesive and fixings.

No routing is required.

If the stair nosing doesn't sit flat on the leading corner edge, then mark the overall length, remove nosing and plane off right angled edge of the tread between the markings. This is then hidden underneath the fitted tread nosing.

GENERAL NOTES:

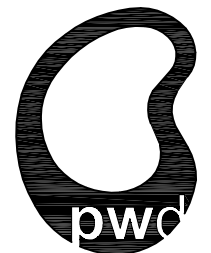
THE CONTRACTOR SHALL CHECK AND VERIFY ALL DIMENSIONS ON SITE AND REPORT ANY DISCREPANCIES IN WRITING TO PHILIP WATTS DESIGN BEFORE COMMENCING WITH THE WORK.
 ALL DRAWINGS ARE THE PROPERTY OF PHILIP WATTS DESIGN AND SHALL NOT BE REPRODUCED WITHOUT THE CONSENT OF THE DESIGNERS.
 DRAWINGS SHALL NOT BE SCALED.
 THIS DRAWING IS TO BE READ IN CONJUNCTION WITH THE RELEVANT SPECIFICATION OF BUILDING WORKS.
 ALL DIMENSIONS ARE IN mm UNLESS OTHERWISE NOTED.
 THIS DRAWING MAY INCORPORATE INFORMATION FROM OTHER PROFESSIONS. PHILIP WATTS DESIGN CANNOT ACCEPT RESPONSIBILITY FOR THE INTEGRITY AND ACCURACY OF SUCH INFORMATION.

IF IN DOUBT ASK !

original drawn by (name)	date	app by

drawing status:
APPROVED BY:

Name:	Date:



philip watts design
 Unit 11: Byron Industrial Estate,
 Brookfield Road, Arnold
 Nottingham, NG5 7ER
 t: 0115 926 9756
 f: 0115 920 5395
 sales@philipwattsdesign.com
 www.philipwattsdesign.com

drawing title: Flute	
contract name —	job number —
drawing no & revision —	
scale —	
drawn by —	date —
	checked —